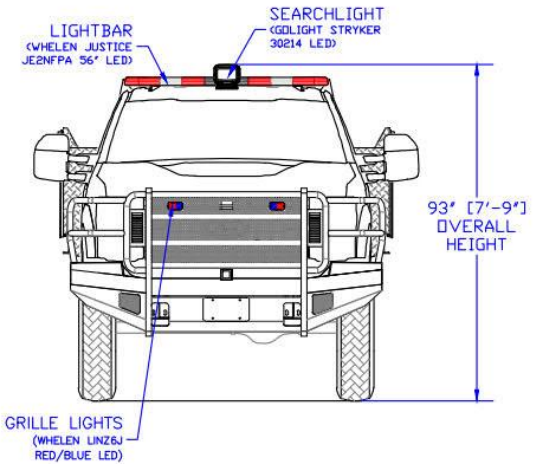


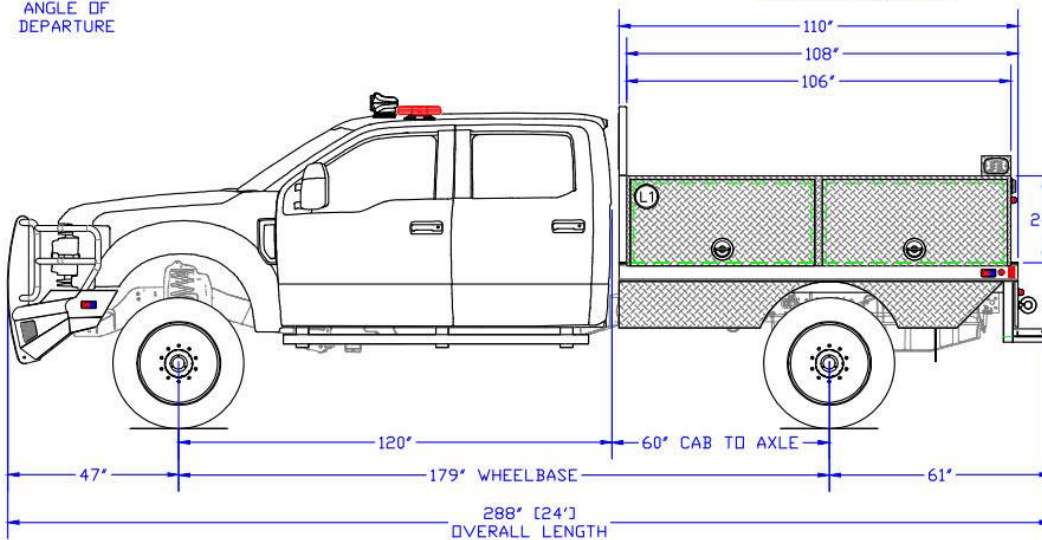
22°  
ESTIMATED  
ANGLE OF  
DEPARTURE

INTERSECTION LIGHTS  
(WHELEN LIN26J RED/BLUE LED)



93" [7'-9"]  
OVERALL  
HEIGHT

GRILLE LIGHTS  
(WHELEN LIN26J  
RED/BLUE LED)



47"

120"

179" WHEELBASE

288" [24"]  
OVERALL LENGTH

60" CAB TO AXLE

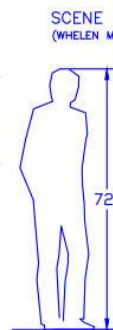
61"

110"

108"

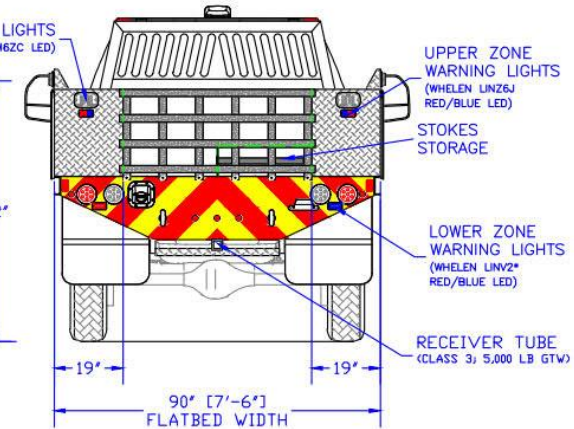
106"

24"



SCENE LIGHTS  
(WHELEN M62C LED)

72"



UPPER ZONE  
WARNING LIGHTS  
(WHELEN LIN26J  
RED/BLUE LED)

STOKES  
STORAGE

LOWER ZONE  
WARNING LIGHTS  
(WHELEN LIN2\"/>

RECEIVER TUBE  
(CLASS 3) 5,000 LB GTW)

19"

90" [7'-6"]  
FLATBED WIDTH

19"

COMPT.	OPENING	DEPTH
L1	2 OPENINGS 49W X 22H	17
R1	2 OPENINGS 49W X 22H	17

TOTAL COMPARTMENT CAPACITY 42 CU FT

CUSTOMER SIGNATURE: \_\_\_\_\_  
DATE: \_\_\_\_\_  
DEALER/SALESMAN SIGNATURE: \_\_\_\_\_  
DATE: \_\_\_\_\_

## BUILD DRAWING

WILDLAND



FIRE | RESCUE | EMS  
SNYDER, NEBRASKA  
www.DANKO.net

PUMP: n/a  
TANK: n/a  
FOAM: n/a  
BODY: 110" Aluminum Flatbed  
CHASSIS: Ford F350 Crew Cab

FILE NAME: Clients\Wildland\Jersey City-NJ 06-2017

ID: Q-0512

DRAWN BY: CTK

SCALE: BEST FIT

JERSEY CITY POLICE DEPARTMENT  
JERSEY CITY, NJ

DIMENSIONS SHOWN ARE APPROXIMATE AND SUBJECT TO CHANGE AS MAY BE FOUND NECESSARY DURING CONSTRUCTION. MINOR DETAILS MAY NOT BE SHOWN TO RETAIN CLARITY WITHIN THE DRAWING. THE DRAWING IS FOR REFERENCE PURPOSES ONLY. SPECIFICATIONS SHALL BE THE FINAL AUTHORITY OF WHAT IS SUPPLIED ON THE APPARATUS.

DATE: 02/12/2018

PAGE 1 OF 2