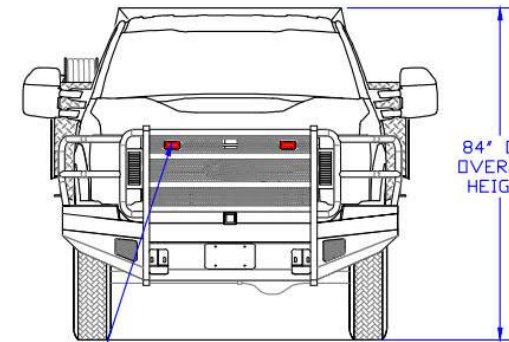


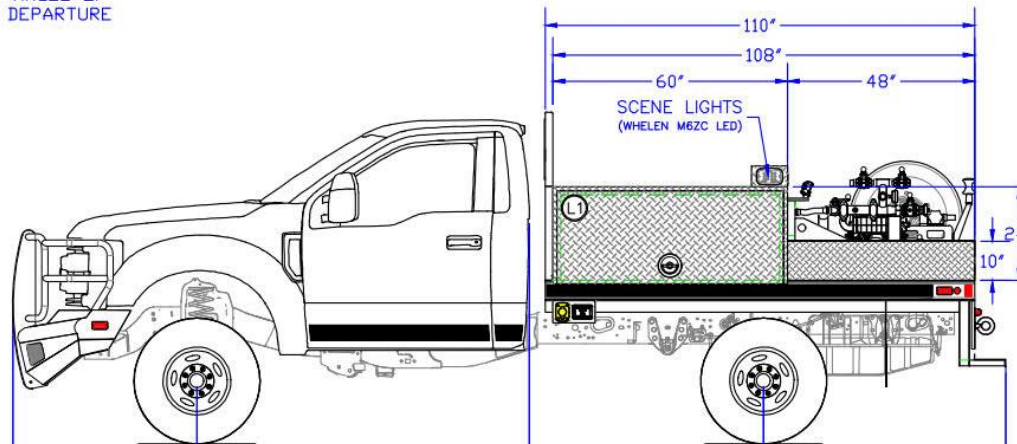
18°  
ESTIMATED  
ANGLE OF  
DEPARTURE

INTERSECTION LIGHTS  
(WHELEN LINZ6R RED LED)

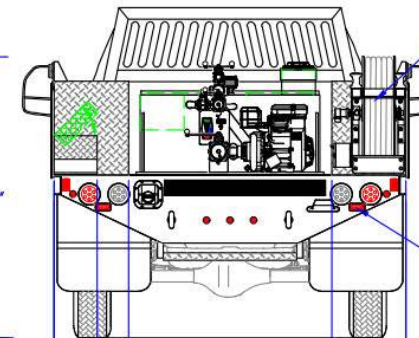
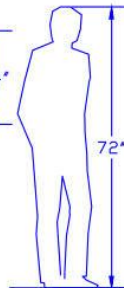


84" [7']  
OVERALL  
HEIGHT

GRILLE LIGHTS  
(WHELEN LINZ6R  
RED LED)



SCENE LIGHTS  
(WHELEN M6ZC LED)



BOOSTER REEL  
(HANNAY MODEL  
EF16.5-30-31)

LOWER ZONE  
WARNING LIGHTS  
(WHELEN LINV2R  
RED LED)

110"  
108"  
60"  
48"  
24"  
10"  
72"  
47"  
85"  
145" WHEELBASE  
60" CAB TO AXLE  
62"  
254" [21'-2"]  
OVERALL LENGTH

11"  
19"  
90" [7'-6"]  
FLATBED WIDTH

COMPT.	OPENING	DEPTH
L1	56W X 22H	17
R1	56W X 22H	17

TOTAL COMPARTMENT CAPACITY 24 CU FT

CUSTOMER SIGNATURE: \_\_\_\_\_  
 DATE: \_\_\_\_\_  
 DEALER/SALESMAN SIGNATURE: \_\_\_\_\_  
 DATE: \_\_\_\_\_

**BUILD DRAWING**  
WILDLAND



FIRE | RESCUE | EMS

SNYDER, NEBRASKA  
www.DANKO.net

PUMP: Waterous 2515LE w/18HP B&S Eng  
 TANK: 200 Gallon Defender XL Poly  
 FOAM: n/a  
 BODY: 110" Aluminum Flatbed  
 CHASSIS: Ford F350 Reg Cab

FILE NAME: Clients\Wildland\Millburn-NJ

ID: Q-0513

DRAWN BY: CTK

SCALE: BEST FIT

MILLBURN FIRE DEPARTMENT HEADQUARTERS  
MILLBURN, NJ

DIMENSIONS SHOWN ARE APPROXIMATE AND SUBJECT TO CHANGE AS MAY BE FOUND NECESSARY DURING CONSTRUCTION. MINOR DETAILS MAY NOT BE SHOWN TO RETAIN CLARITY WITHIN THE DRAWING. THE DRAWING IS FOR REFERENCE PURPOSES ONLY. SPECIFICATIONS SHALL BE THE FINAL AUTHORITY OF WHAT IS SUPPLIED ON THE APPARATUS.

DATE: 01/17/2018

PAGE 1 OF 3